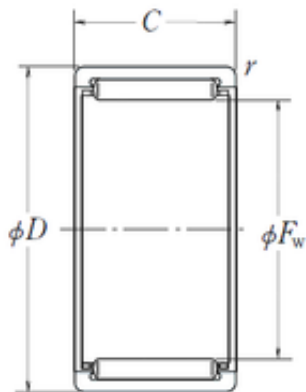




BEARING DRIVESHAFT ANDERSON, INC.

NSK RLM506220 Needle roller bearings



Bearing No. RLM506220

Size	50x62x20 mm
Bore Diameter	50 mm
Outer Diameter	62 mm
Width	20 mm
Fw	50 mm
D	62 mm
C	20 mm
r min.	0,6 mm
Weight	0,12 Kg
Basic dynamic load rating (C)	35,5 kN
Basic static load rating (C0)	60,5 kN
(Grease) Lubrication Speed	4300 r/min
hidYobi	RLM506220
LangID	1
D_	62
B_	20
hidTable	ecat_NSMRNR
GRS rpm	4300
ra	0.6
C0	60.5
C1_	20
DE_	58
SLR	15.8
Prod_Type3	NRB_S_RLM
d	50
DA_	4

RLM506220 Bearing 2D drawings and 3D CAD models



BEARING DRIVESHAFT ANDERSON, INC.

Z_	26
SI	0
yobi	RLM506220
da_max	58
OIL rpm	7100
SDM_	54
r	0.6
KBRG	8312
mass1	0.12