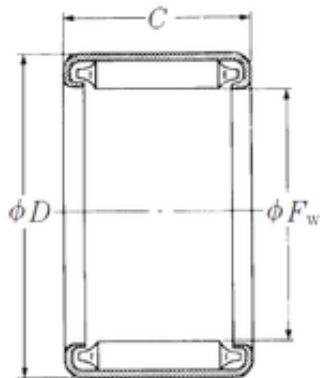




BEARING DRIVESHAFT ANDERSON, INC.

NSK BH-1112 Needle roller bearings



Bearing No. BH-1112

Size	17.462x23.812x19.05 mm
Bore Diameter	17,462 mm
Outer Diameter	23,812 mm
Width	19,05 mm
Fw	17,462 mm
D	23,812 mm
C	19,05 mm
Weight	0,025 Kg
Basic dynamic load rating (C)	20,1 kN

BH-1112 Bearing 2D drawings and 3D CAD models