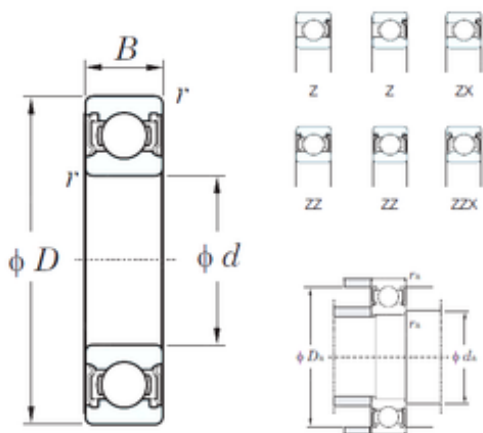




BEARING DRIVESHAFT ANDERSON, INC.



17 mm x 40 mm x 12 mm KOYO 6203Z Deep groove ball bearings

Bearing No. 6203Z

6203Z Bearing 2D drawings and 3D CAD models

Size	17x40x12 mm
Bore Diameter	17 mm
Outer Diameter	40 mm
Width	12 mm
d	17 mm
D	40 mm
B	12 mm
C	12 mm
r min.	0,6 mm
da min.	21 mm
da max	22 mm
Da max.	36 mm
ra max.	0,6 mm
Weight	0,065 Kg
Basic dynamic load rating (C)	9,55 kN
Basic static load rating (C0)	4,8 kN
(Grease) Lubrication Speed	17000 r/min
(Oil) Lubrication Speed	21000 r/min
Category	Single Row Ball Bearings
Inventory	0.0
Manufacturer Name	KOYO
Minimum Buy Quantity	N/A
Weight / Kilogram	0.07
Product Group	B00308
Enclosure	1 Metal Shield



BEARING DRIVESHAFT ANDERSON, INC.

Precision Class	ABEC 1 ISO P0
Maximum Capacity / Filling Slot	No
Rolling Element	Ball Bearing
Snap Ring	No
Internal Special Features	No
Cage Material	Steel
Internal Clearance	C0-Medium
Inch - Metric	Metric
Long Description	17MM Bore; 40MM Outside Diameter; 12MM Outer Race Width; 1 Metal Shield; Ball Bearing; ABEC 1 ISO P0; No Filling Slot; No Snap Ring; No Internal Special Features; C0-Medium Internal Clearance; Steel
Other Features	Deep Groove
Category	Single Row Ball Bearing
UNSPSC	31171504
Harmonized Tariff Code	8482.10.50.68
Noun	Bearing
Keyword String	Ball
Manufacturer URL	http://www.koyousa.com
Weight / LBS	0.1433
Inner Race Width	0 Inch 0 Millimeter
Bore	0.669 Inch 17 Millimeter
Outside Diameter	1.575 Inch 40 Millimeter
Outer Race Width	0.472 Inch 12 Millimeter