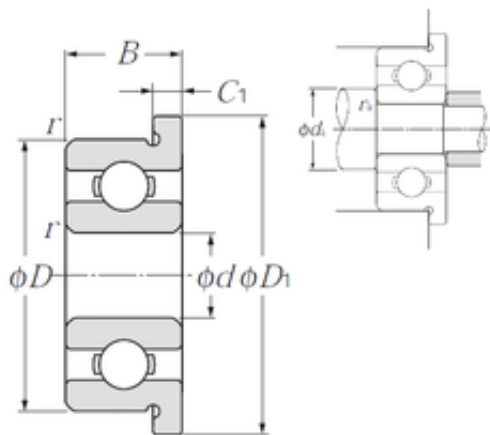




BEARING DRIVESHAFT ANDERSON, INC.

4 mm x 12 mm x 4 mm NTN FL604 Deep groove ball bearings

Bearing No. FL604



FL604 Bearing 2D drawings and 3D CAD models

Size	4x13.5x4 mm
Bore Diameter	4 mm
Outer Diameter	13,5 mm
Width	4 mm
d	4 mm
D	12 mm
D1	13,5 mm
B	4 mm
r min.	0,2 mm
C1	1 mm
da min.	5,6 mm
da max	6,6 mm
Da max.	10,4 mm
ra max.	0,2 mm
Weight	2,3 Kg
Basic dynamic load rating (C)	0,97 kN
Basic static load rating (C0)	0,36 kN
(Grease) Lubrication Speed	43 000 r/min
(Oil) Lubrication Speed	51 000 r/min