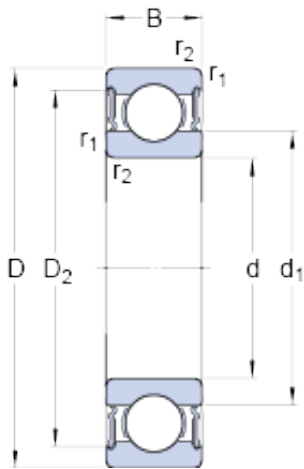




BEARING DRIVESHAFT ANDERSON, INC.



12 mm x 18 mm x 4 mm SKF W 61701-2RS1 Deep groove ball bearings

Bearing No. W 61701-2RS1

W 61701-2RS1 Bearing 2D drawings and 3D CAD models

Size	18x12x4 mm
Bore Diameter	18 mm
Outer Diameter	12 mm
Width	4 mm
d	12 mm
D	18 mm
B	4 mm
d ₁	13.86 mm
D ₂	16.7 mm
r _{1,2} - min.	0.2 mm
d _a - min.	13.5 mm
d _a - max.	13.5 mm
D _a - max.	17 mm
r _a - max.	0.2 mm
Basic dynamic load rating - C	0.527 kN
Basic static load rating - C ₀	0.265 kN
Fatigue load limit - P _u	0.011 kN
Limiting speed	22000 r/min
Calculation factor - k _r	0.015
Calculation factor - f ₀	8.2
Category	Single Row Ball Bearings
Inventory	0.0
Manufacturer Name	SKF
Minimum Buy Quantity	N/A



BEARING DRIVESHAFT ANDERSON, INC.

Weight / Kilogram	0
Product Group	B00308
Enclosure	2 Seals
Precision Class	ABEC 1 ISO P0
Maximum Capacity / Filling Slot	No
Rolling Element	Ball Bearing
Snap Ring	No
Internal Special Features	No
Cage Material	Stainless Steel
Enclosure Type	Contact Seal
Internal Clearance	C0-Medium
Inch - Metric	Metric
Long Description	12MM Bore; 18MM Outside Diameter; 4MM Outer Race Width; 2 Seals; Ball Bearing; ABEC 1 ISO P0; No Filling Slot; No Snap Ring; No Internal Special Features; C0-Medium Internal Clearance; Stainless Ste
Other Features	Deep Groove NBR Seal
Category	Single Row Ball Bearing
UNSPSC	31171504
Harmonized Tariff Code	8482.10.50.68
Noun	Bearing
Keyword String	Ball
Manufacturer URL	http://www.skf.com
Weight / LBS	0.0066
Bore	0.472 Inch 12 Millimeter
Outside Diameter	0.709 Inch 18 Millimeter
Outer Race Width	0.157 Inch 4 Millimeter
Inner Race Width	0 Inch 0 Millimeter
d ₁	13.86 mm



BEARING DRIVESHAFT ANDERSON, INC.

D_2	16.7 mm
$r_{1,2}$ min.	0.2 mm
d_a min.	13.5 mm
d_a max.	13.5 mm
D_a max.	17 mm
r_a max.	0.2 mm
Basic dynamic load rating C	0.527 kN
Basic static load rating C_0	0.265 kN
Fatigue load limit P_u	0.011 kN
Calculation factor k_r	0.015
Calculation factor f_0	8.2
Mass bearing	0.0029 kg