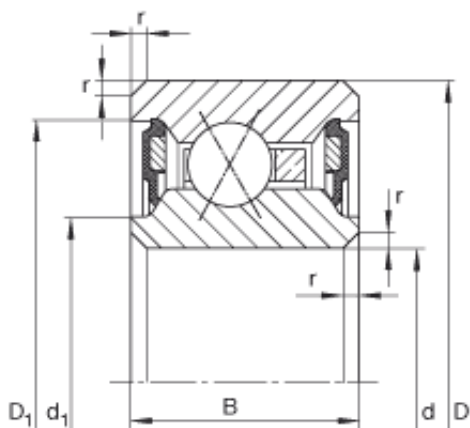




BEARING DRIVESHAFT ANDERSON, INC.

9 inch x 247,65 mm x 12,7 mm INA
CSXU090-2RS Deep groove ball bearings

Bearing No. CSXU090-2RS



CSXU090-2RS Bearing 2D drawings and 3D CAD models

Size	228.6x247.65x12.7 mm
Bore Diameter	228,6 mm
Outer Diameter	247,65 mm
Width	12,7 mm
d	228,6 mm
d	9 inch
D	247,65 mm
B	12,7 mm
D ₁	242,2 mm
d ₁	232,4 mm
r _{min}	0,38 mm
m	0,53 kg / Weight
C _r	13800 N / Dynamic load rating (radial)
C _{0r}	31500 N / Static load rating (radial)