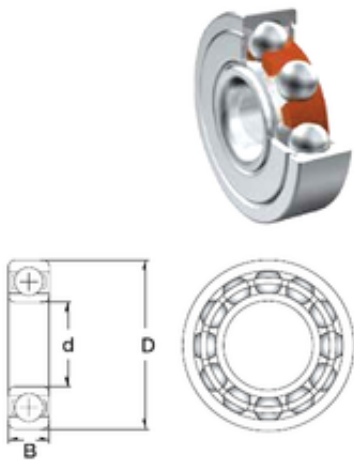




BEARING DRIVESHAFT ANDERSON, INC.



9 mm x 26 mm x 8 mm ZEN 629-2Z.T9H.C3
Deep groove ball bearings

Bearing No. 629-2Z.T9H.C3

Size	9x26x8 mm
Bore Diameter	9 mm
Outer Diameter	26 mm
Width	8 mm
d	9 mm
D	26 mm
B	8 mm
C	8 mm
Weight	0,022 Kg
Basic dynamic load rating (C)	4,55 kN
Basic static load rating (C0)	1,97 kN

629-2Z.T9H.C3 Bearing 2D drawings and 3D CAD models