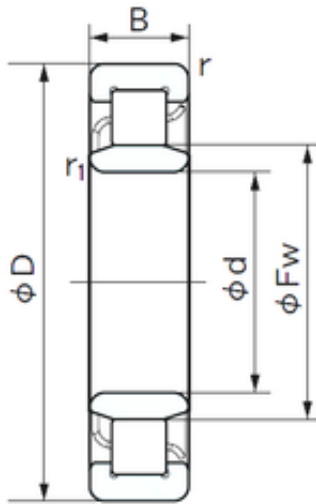




BEARING DRIVESHAFT ANDERSON, INC.



200 mm x 360 mm x 98 mm NACHI NU 2240
Cylindrical roller bearings

Bearing No. NU 2240

Size	200x360x98 mm
Bore Diameter	200 mm
Outer Diameter	360 mm
Width	98 mm
d	200 mm
Fw	244 mm
D	360 mm
B	98 mm
r min.	4 mm
r1 min.	4 mm
Weight	45.4 Kg
Basic dynamic load rating (C)	920 kN
Basic static load rating (C0)	1440 kN
(Grease) Lubrication Speed	1500 r/min

NU 2240 Bearing 2D drawings and 3D CAD models