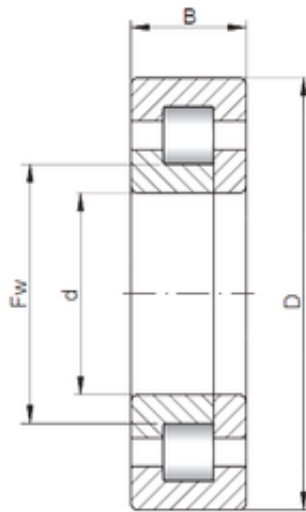




BEARING DRIVESHAFT ANDERSON, INC.



190 mm x 320 mm x 104 mm ISO NUP3138
Cylindrical roller bearings

Bearing No. NUP3138

Size	190x320x104 mm
Bore Diameter	190 mm
Outer Diameter	320 mm
Width	104 mm
d	190 mm
D	320 mm
B	104 mm
C	104 mm

NUP3138 Bearing 2D drawings and 3D CAD models