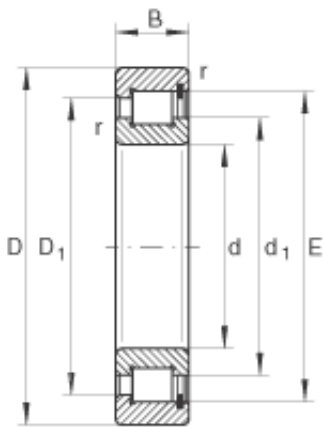




BEARING DRIVESHAFT ANDERSON, INC.



600 mm x 730 mm x 60 mm INA SL1818/600-E-TB Cylindrical roller bearings

Bearing No. SL1818/600-E-TB

SL1818/600-E-TB Bearing 2D drawings and 3D CAD models

Size	600x730x60 mm
Bore Diameter	600 mm
Outer Diameter	730 mm
Width	60 mm
d	600 mm
D	730 mm
B	60 mm
D ₁	687,4 mm
d ₁	644,5 mm
E	704 mm
r _{min}	3 mm
s	5 mm / Axial displacement
m	49,7 kg / Weight
C _r	1270000 N / Dynamic load rating (radial)
C _{0r}	2800000 N / Static load rating (radial)
C _{ur}	250000 N / Fatigue limit load, radial
n _G	450 1/min / Limiting speed
Category	Bearings
Inventory	0.0
Manufacturer Name	SCHAEFFLER GROUP
Minimum Buy Quantity	N/A
Weight / Kilogram	0
EAN	4012802071856



BEARING DRIVESHAFT ANDERSON, INC.

Product Group	
---------------	--

	B04144
--	--------