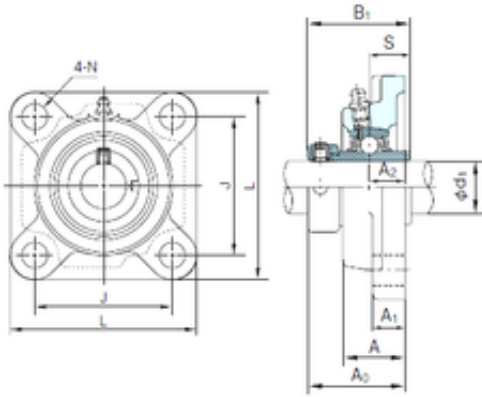




BEARING DRIVESHAFT ANDERSON, INC.

NACHI UGF210 Bearing units



Bearing No. UGF210

Bore Diameter	50 mm
d1	50 mm
A0	60.1 mm
A	40 mm
A1	18 mm
B1	62.7 mm
J	111 mm
L	143 mm
N	16 mm
S	24.6 mm
Bolt (G)	M14
A2	22 mm

UGF210 Bearing 2D drawings and 3D CAD models