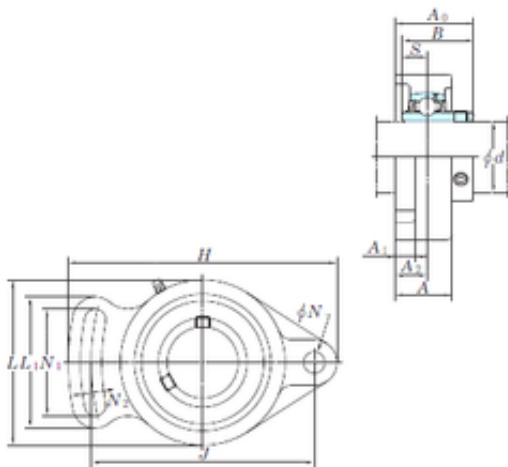




BEARING DRIVESHAFT ANDERSON, INC.



KOYO UCFA204 Bearing units

Bearing No. UCFA204

Bore Diameter	20 mm
d	20 mm
A0	32,1 mm
A	24 mm
A1	11 mm
B	31 mm
H	98 mm
J	78 mm
L	59 mm
L1	50 mm
N	10 mm
N1	40 mm
S	12,7 mm
Bolt (G)	M8
A2	13,8 mm
N2	10 mm
Weight	0,42 Kg
Basic dynamic load rating (C)	12,8 kN
Basic static load rating (C0)	6,65 kN

UCFA204 Bearing 2D drawings and 3D CAD models