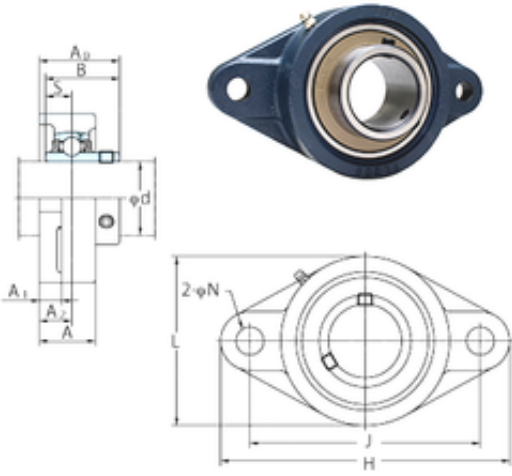




BEARING DRIVESHAFT ANDERSON, INC.

FYH UCFL216E Bearing units

Bearing No. UCFL216E



UCFL216E Bearing 2D drawings and 3D CAD models

Bore Diameter	80 mm
d	80 mm
A0	83,3 mm
A	58 mm
A1	20 mm
B	82,6 mm
H	290 mm
J	233 mm
L	180 mm
N	19 mm
S	33,3 mm
A2	34 mm
Weight	7,8 Kg
Basic dynamic load rating (C)	72,7 kN
Basic static load rating (C0)	53 kN