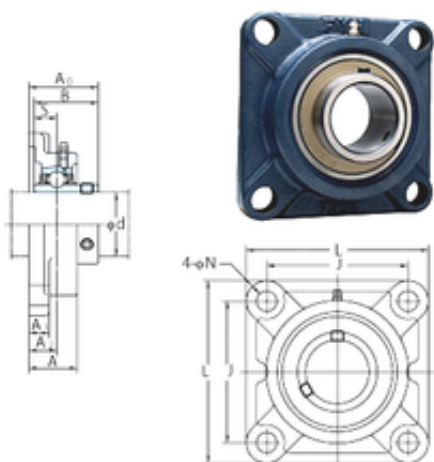




BEARING DRIVESHAFT ANDERSON, INC.



FYH UCFX09E Bearing units

Bearing No. UCFX09E

Bore Diameter	45 mm
d	45 mm
A0	55,6 mm
A	40 mm
A1	14 mm
B	51,6 mm
J	111 mm
L	143 mm
N	15 mm
S	19 mm
Bolt (G)	1/2
A2	23 mm
Weight	2,7 Kg
Basic dynamic load rating (C)	35,1 kN
Basic static load rating (C0)	23,3 kN

UCFX09E Bearing 2D drawings and 3D CAD models