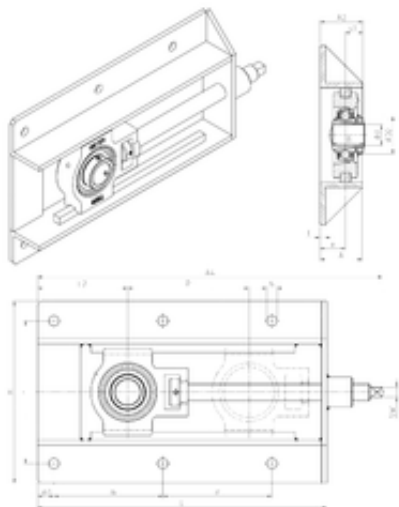




BEARING DRIVESHAFT ANDERSON, INC.



SNR UKT206H+WB Bearing units

Bearing No. UKT206H+WB

Bore Diameter	25 mm
d	25 mm
A4	396 mm
P	150 mm
e	30 mm
L2	95 mm
s1	20,5 mm
SW	11 mm
A	50 mm
B	38 mm
D2	45 mm
H	212 mm
J	166 mm
L	337 mm
M	127 mm
M1	19 mm
N	12 mm
T	6 mm
A2	50,5 mm
Weight	6,3 Kg
Basic dynamic load rating (C)	19,5 kN
A1	12 mm
A5	20.5 mm
B1	38 mm
d1	45 mm
G	M6x1

UKT206H+WB Bearing 2D drawings and 3D CAD models



BEARING DRIVESHAFT ANDERSON, INC.

H1	89 mm
H2	56 mm
L1	70 mm
L3	57 mm
N1	16 mm
N2	37 mm
C	19.5 kN
C0	11.2 kN
T min.	-20 ° C
T max.	100 ° C
Adapter sleeve reference	H2306
Designation of housing	T206-
Designation of bearing	UK206G2H