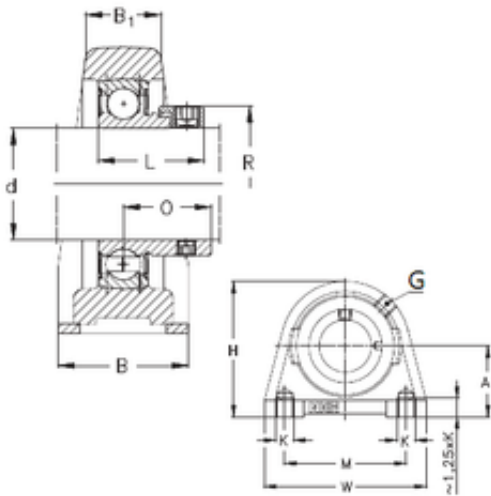




BEARING DRIVESHAFT ANDERSON, INC.



PSHE17 Bearing 2D drawings and 3D CAD models

NKE PSHE17 Bearing units

Bearing No. PSHE17

Bore Diameter	17 mm
Width	30 mm
d	17 mm
O	22,1 mm
A	30,2 mm
B	30 mm
B1	18 mm
H	57 mm
L	28,6 mm
M	47 mm
R	28 mm
W	63 mm
Thread (G)	M6
Weight	0,44 Kg