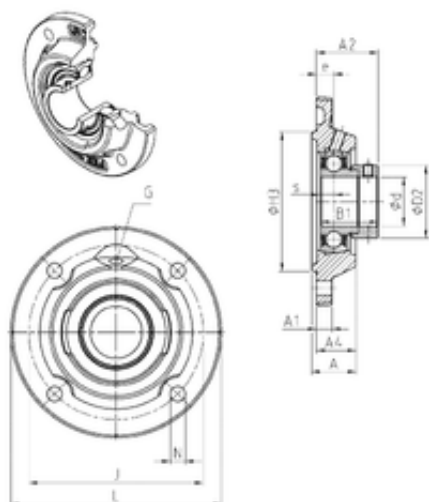




# BEARING DRIVESHAFT ANDERSON, INC.



## SNR ESFEE209 Bearing units

Bearing No. ESFEE209

Bore Diameter	45 mm
d	45 mm
H3	105 mm
A4	27,5 mm
e	11,5 mm
s	11 mm
A	31,5 mm
A1	12 mm
B1	43,7 mm
D2	63,5 mm
J	130 mm
L	155 mm
N	14 mm
Thread (G)	R1/8"
A2	44,2 mm
Weight	2,1 Kg
Basic dynamic load rating (C)	31,85 kN
B	30.2 mm
d1	62 mm
s1	33.4 mm
S	11 mm
C	31.85 kN
C0	20.8 kN
T min.	-20 ° C
T max.	100 ° C
Recommended tightening	11.5 Nm

ESFEE209 Bearing 2D drawings and 3D CAD models



## BEARING DRIVESHAFT ANDERSON, INC.

torque for set screw	
Designation of bearing	ES209G2