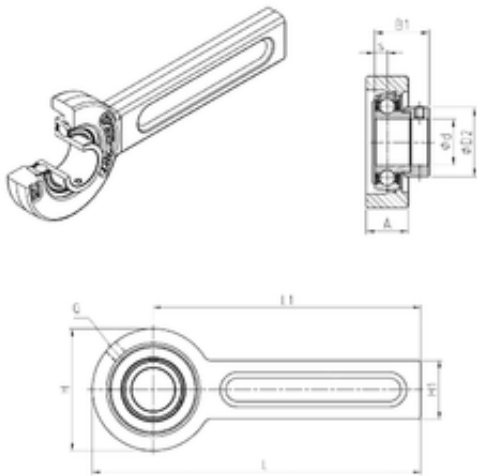




BEARING DRIVESHAFT ANDERSON, INC.



SNR ESSP208 Bearing units

Bearing No. ESSP208

Bore Diameter	40 mm
d	40 mm
s	11 mm
A	31 mm
B1	43,7 mm
D2	60,3 mm
H	120 mm
H1	61 mm
L	320 mm
L1	260 mm
Thread (G)	R1/8"
Weight	4,2 Kg
Basic dynamic load rating (C)	29,6 kN

ESSP208 Bearing 2D drawings and 3D CAD models