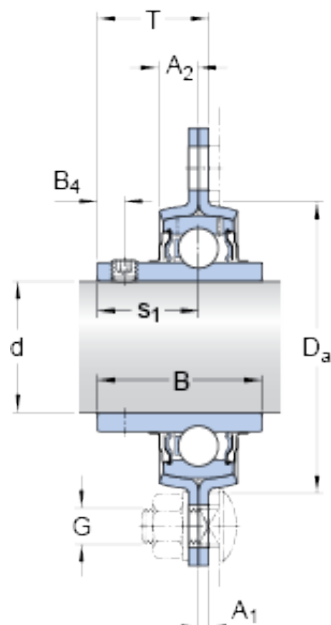




BEARING DRIVESHAFT ANDERSON, INC.



PF 40 TF Bearing 2D drawings and 3D CAD models

SKF PF 40 TF Bearing units

Bearing No. PF 40 TF

Size	40x3.5x10 mm
Bore Diameter	40 mm
Outer Diameter	3,5 mm
Width	10 mm
d	40 mm
A ₁	3.5 mm
A ₂	10 mm
B	49.2 mm
B ₄	8 mm
D _a - min.	87 mm
J	119 mm
H	148 mm
H	13.5 mm
s ₁	30.2 mm
T	33.7 mm
Basic dynamic load rating - C	30.7 kN
Basic static load rating - C ₀	19 kN
Fatigue load limit - P _u	0.8 kN
Permissible radial housing load	max. 7.5 kN
Weight	1.25 kg
Thread - G ₂	M8x1
Hexagonal key size for grub screw - H	4 mm
Housing material	Pressed steel



BEARING DRIVESHAFT ANDERSON, INC.

A_1	3.5 mm
A_2	10 mm
B_4	8 mm
D_a min.	87 mm
N	13.5 mm
s_1	30.2 mm
Basic dynamic load rating C	30.7 kN
Basic static load rating C_0	19 kN
Fatigue load limit P_u	0.8 kN
Permissible radial housing load max.	7.5 kN
Mass unit	1.25 kg
Thread grub screw G_2	M8x1
Hexagonal key size for grub screw N	4 mm
Recommended tightening torque for grub screw	6.5 N · m
Recommended diameter for attachment bolts, mm G	12 mm
Recommended diameter for attachment bolts, inch G	0.5 in