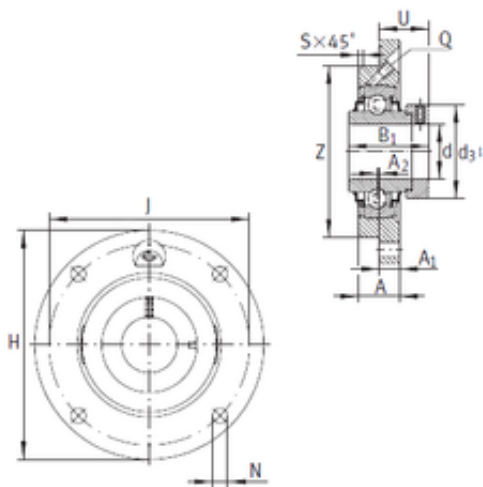




# BEARING DRIVESHAFT ANDERSON, INC.



RME35-N Bearing 2D drawings and 3D CAD models

## INA RME35-N Bearing units

Bearing No. RME35-N

Bore Diameter	35 mm
d	35 mm
U	31,3 mm
Thread (Q)	M6
Z	90 mm
d3	51 mm
A	20,5 mm
A1	10 mm
B1	51,3 mm
H	135 mm
J	110 mm
N	11,5 mm
S	2 mm
A2	1 mm
Weight	1,34 Kg
Basic dynamic load rating (C)	25,5 kN
Category	Flange Block Bearings
Inventory	0.0
Manufacturer Name	SCHAEFFLER GROUP
Minimum Buy Quantity	N/A
Weight / Kilogram	1.605
EAN	4012802837810
Product Group	M06110
Number of Mounting Holes	4
Mounting Method	Eccentric Collar
Housing Style	4 Bolt Round Flange



## BEARING DRIVESHAFT ANDERSON, INC.

	Cartridge
Rolling Element	Ball Bearing
Housing Material	Cast Iron
Expansion / Non-expansion	Non-expansion
Mounting Bolts	11.5 Millimeter
Relubricatable	Yes
Insert Part Number	GE35KRRB
Seals	Double Land Riding Rubber Contact
Housing Configuration	1 Piece Solid
Pilot Configuration	With Pilot
Inch - Metric	Metric
Long Description	4 Bolt Round Flange Cartridge; 35MM Bore; 110MM Bolt Circle; 78.5MM Bolt Spacing; 1 Piece Solid; Eccentric Collar Mount; Cast Iron; Ball Bearing; 51.1MM Length Thru Bore; Relubricatable; Double Land R
Other Features	Single Row   Centering Spigot   End Cap   With Set Screw
Category	Flange Block
UNSPSC	31171501
Harmonized Tariff Code	8483.20.40.40
Noun	Bearing
Keyword String	Flanged
Manufacturer URL	<a href="http://www.ina.com">http://www.ina.com</a>
Manufacturer Item Number	RME35N
Weight / LBS	2.955
Cartridge Pilot Diameter	3.543 Inch   90 Millimeter
Bore	1.378 Inch   35 Millimeter
Bolt Spacing	3.1 Inch   78.5 Millimeter
Cartridge Pilot Depth	0.335 Inch   8.5 Millimeter



## BEARING DRIVESHAFT ANDERSON, INC.

Length Thru Bore	2.012 Inch   51.1 Millimeter
Nominal Bolt Circle Diameter Round	4.3 Inch   110 Millimeter