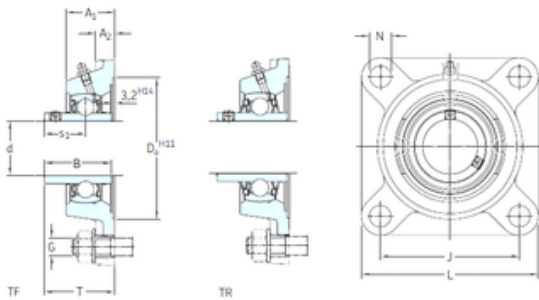




BEARING DRIVESHAFT ANDERSON, INC.

SKF FY 1.3/16 TF Bearing units

Bearing No. FY 1.3/16 TF



FY 1.3/16 TF Bearing 2D drawings and 3D CAD models

Bore Diameter	30,163 mm
Width	38,1 mm
d	30,163 mm
s1	22,2 mm
A1	32,5 mm
B	38,1 mm
G	10 mm
J	82,5 mm
L	108 mm
T	42,2 mm
A2	13 mm
Weight	1,1 Kg
Basic dynamic load rating (C)	19,5 kN
Basic static load rating (C0)	11,2 kN
Fatigue load limit (Pu)	0,475
Category	Flange Block Bearings
Inventory	0.0
Manufacturer Name	SKF
Minimum Buy Quantity	N/A
Weight / Kilogram	1.18
EAN	7316577660220
Product Group	M06110
Number of Mounting Holes	4
Mounting Method	Set Screw
Housing Style	4 Bolt Square Flange Block
Rolling Element	Ball Bearing



BEARING DRIVESHAFT ANDERSON, INC.

Housing Material	Cast Iron
Expansion / Non-expansion	Non-expansion
Mounting Bolts	7/16 Inch
Relubricatable	Yes
Insert Part Number	YAR 206-103-2F
Seals	M Seal
Housing Configuration	1 Piece Solid
Pilot Configuration	No Pilot
Inch - Metric	Inch
Long Description	4 Bolt Square Flange Block; 1-3/16" Bore; 4.7" Bolt Circle; 3-1/4" Bolt Spacing; 1 Piece Solid; Set Screw Mount; Cast Iron; Ball Bearing; 1-1/2" Length Thru Bore; Relubricatable; M
Other Features	Single Row Standard Duty Wide Inner Race Open End Has Flinger Y Bearing
Category	Flange Block
UNSPSC	31171501
Harmonized Tariff Code	8483.20.40.40
Noun	Bearing
Keyword String	Flanged
Manufacturer URL	http://www.skf.com
Manufacturer Item Number	FY 1.3/16 TF
Weight / LBS	2.6
Cartridge Pilot Diameter	0 Inch 0 Millimeter
Nominal Bolt Circle Diameter Round	4.7 Inch 120 Millimeter
Bolt Spacing	3.25 Inch 82.55 Millimeter
Length Thru Bore	1.5 Inch 38.1 Millimeter
Cartridge Pilot Depth	0 Inch 0 Millimeter
Bore	1.188 Inch 30.175



BEARING DRIVESHAFT ANDERSON, INC.

	Millimeter
Housing material	Cast iron
D_a	93.7 mm
D_{b1}	76 mm
D_{b2}	84 mm
A	32.5 mm
A_1	13 mm
A_3	3.2 mm
A_5	22.5 mm
N	11.5 mm
s_1	22.2 mm
R_G	1/4-28 UNF
R_1	21 mm
D_N	6.5 mm
SW_N	7 mm
G_N	1/4-28 SAE-LT
J_6	96 mm
J_7	24.5 mm
N_4	4 mm
Basic dynamic load rating C	19.5 kN
Basic static load rating C_0	11.2 kN
Fatigue load limit P_u	0.475 kN
Limiting speed	6300 r/min
Mass bearing unit	1.05 kg
Thread grub screw G_2	1/4-28 UNF
Hexagonal key size for grub screw N	3.175 mm
Recommended tightening torque for grub screw	4 N · m
Recommended diameter for attachment bolts, mm G	10 mm
Recommended diameter for attachment bolts, inch G	0.375 in