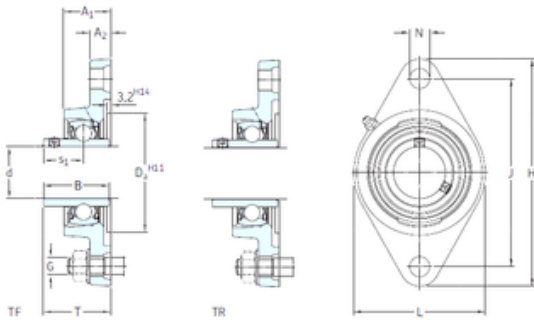




BEARING DRIVESHAFT ANDERSON, INC.

SKF FYTB 17 TF Bearing units



Bearing No. FYTB 17 TF

Bore Diameter	17 mm
d	17 mm
Da	50,8 mm
s1	15,9 mm
A1	26 mm
B	27,4 mm
G	10 mm
H	98,5 mm
J	76,5 mm
L	57 mm
N	11,5 mm
T	32,9 mm
A2	11 mm
Weight	0,39 Kg
Basic dynamic load rating (C)	9,56 kN
Basic static load rating (C0)	4,75 kN
Fatigue load limit (Pu)	0,2
Category	Bearings
Inventory	0.0
Manufacturer Name	SKF
Minimum Buy Quantity	N/A
UNSPSC	31171501
Weight / Kilogram	0.324
EAN	7316570830132
Product Group	M06110
Housing material	Cast iron

FYTB 17 TF Bearing 2D drawings and 3D CAD models



BEARING DRIVESHAFT ANDERSON, INC.

D_a	50.8 mm
D_{b1}	50 mm
D_{b2}	57 mm
A	26 mm
A_1	11 mm
A_3	3.2 mm
B_4	4 mm
s_1	15.9 mm
R_G	1/4-28 UNF
R_1	19 mm
R	45 °
D_N	6.5 mm
SW_N	7 mm
G_N	1/4-28 SAE-LT
J_6	61.5 mm
J_7	11 mm
N_4	2 mm
Basic dynamic load rating C	9.56 kN
Basic static load rating C_0	4.75 kN
Fatigue load limit P_u	0.2 kN
Limiting speed	9500 r/min
Mass bearing unit	0.33 kg
Thread grub screw G_2	M6x0.75
Hexagonal key size for grub screw N	3 mm
Recommended tightening torque for grub screw	4 N · m
Recommended diameter for attachment bolts, mm G	10 mm
Recommended diameter for attachment bolts, inch G	0.375 in