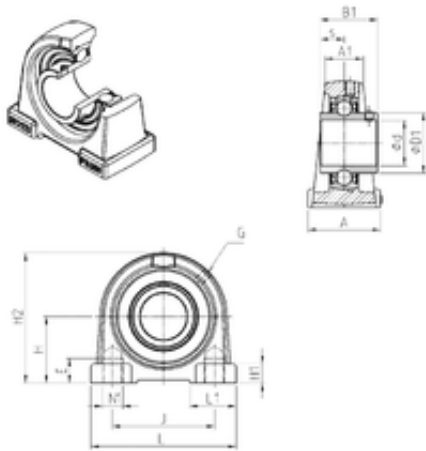




# BEARING DRIVESHAFT ANDERSON, INC.



## SNR UCPAE206 Bearing units

Bearing No. UCPAE206

Bore Diameter	30 mm
d	30 mm
s	15,9 mm
A	38 mm
A1	25 mm
B1	38,1 mm
D1	40,3 mm
E	12,5 mm
H	42,9 mm
H1	11 mm
H2	82 mm
J	76,2 mm
L	98 mm
L1	22 mm
Thread (G)	R1/8"
Thread (N1)	M10
Weight	1 Kg
Basic dynamic load rating (C)	19,5 kN

UCPAE206 Bearing 2D drawings and 3D CAD models