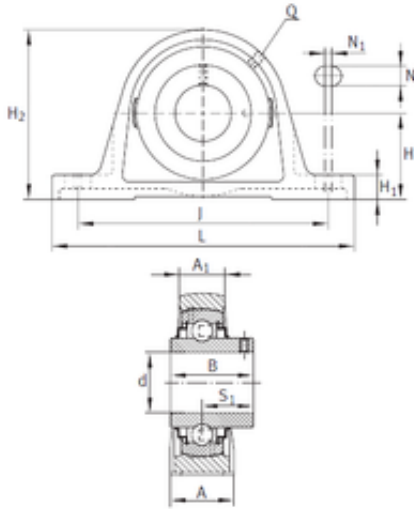




BEARING DRIVESHAFT ANDERSON, INC.



INA RAKY1-3/8 Bearing units

Bearing No. RAKY1-3/8

Bore Diameter	34,925 mm
d	34,925 mm
S1	25,4 mm
Thread (Q)	1/8 NPT
A	46,508 mm
A1	29,007 mm
B	42,901 mm
H	46 mm
H1	17,399 mm
H2	92,101 mm
J	129,998 mm
L	172,009 mm
N	15,012 mm
N1	7,9 mm
Category	Pillow Block Bearings
Inventory	0.0
Manufacturer Name	SCHAEFFLER GROUP
Minimum Buy Quantity	N/A
Weight / Kilogram	1.7
Product Group	M06110
Number of Mounting Holes	2
Mounting Method	Eccentric Collar
Housing Style	2 Bolt Pillow Block
Rolling Element	Ball Bearing
Housing Material	Cast Iron
Expansion / Non-expansion	Non-expansion

RAKY1-3/8 Bearing 2D drawings and 3D CAD models



BEARING DRIVESHAFT ANDERSON, INC.

Relubricatable	Yes
Insert Part Number	GY1106KRRB
Seals	Double Land Riding Rubber Contact
Housing Configuration	1 Piece Solid
Inch - Metric	Inch
Other Features	Single Row Low Base With Set Screw
Long Description	2 Bolt Pillow Block; 1-3/8" Bore; 1-13/16" Base to Center Height; Eccentric Collar Mount; Ball Bearing; 4.807" Minimum Bolt Spacing; 5.429" Bolt Spacing Maximum; Relubricatable; Ca
Category	Pillow Block
UNSPSC	31171511
Harmonized Tariff Code	8483.20.40.40
Noun	Bearing
Keyword String	Pillow Block
Manufacturer URL	http://www.ina.com
Manufacturer Item Number	RAKY1-3/8
Weight / LBS	3.749
Bolt Spacing Minimum	4.807 Inch 122.1Millimeter
Bolt Spacing Maximum	5.429 Inch 137.9Millimeter
Base to Center Height	1.813 Inch 46.05 Millimeter
Length Thru Bore	1.689 Inch 42.9 Millimeter
Bore	1.375 Inch 34.925 Millimeter
Nominal Bolt Center to Center	5 Inch 127 Millimeter
Actual Bolt Center to Center	0 Inch 0Millimeter