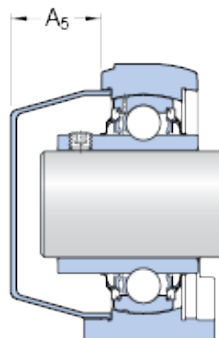
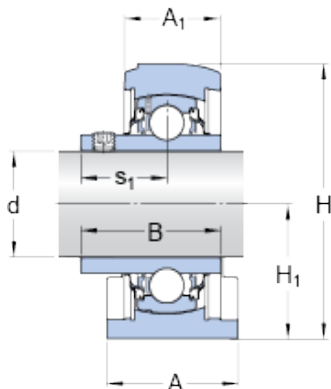




# BEARING DRIVESHAFT ANDERSON, INC.



## SKF SYFWK 1.15/16 LTA Bearing units

Bearing No. SYFWK 1.15/16 LTA

Size	49.213x54x37.5 mm
Bore Diameter	49,213 mm
Outer Diameter	54 mm
Width	37,5 mm
d	49.213 mm
A	54 mm
A <sub>1</sub>	37.5 mm
B	51.6 mm
H	115 mm
H <sub>1</sub>	57.2 mm
J	101.6 mm
L	135 mm
s <sub>1</sub>	32.6 mm
Basic dynamic load rating - C	35.1 kN
Basic static load rating - C <sub>0</sub>	23.2 kN
Fatigue load limit - P <sub>u</sub>	0.98 kN
Limiting speed	2200 r/min
Calculation factor - f <sub>0</sub>	14
Weight	1.25 kg
Size thread - G	M16
Thread length - G <sub>1</sub>	23.5 mm
Hexagonal key size for grub screw - H	4.762 mm
Recommended tightening torque for grub screw	16.5 N · m

SYFWK 1.15/16 LTA Bearing 2D drawings and 3D CAD models



## BEARING DRIVESHAFT ANDERSON, INC.

Housing	SYFWK 510 L
Bearing - YAR 210-115-2RF/VE495	YAR 2101152RF/VE495
Housing material	Composite for food and beverage
A <sub>1</sub>	37.5 mm
A <sub>5</sub>	42.4 mm
H <sub>1</sub>	57.2 mm
s <sub>1</sub>	32.6 mm
Basic dynamic load rating C	35.1 kN
Basic static load rating C <sub>0</sub>	23.2 kN
Fatigue load limit P <sub>u</sub>	0.98 kN
Mass bearing unit	1.25 kg
Thread size attachment end G	M16
Thread length G <sub>1</sub>	23.5 mm
Thread grub screw G <sub>2</sub>	3/8-24 UNF
Hexagonal key size for grub screw N	4.763 mm
Bearing	YAR 210-115-2RF/VE495