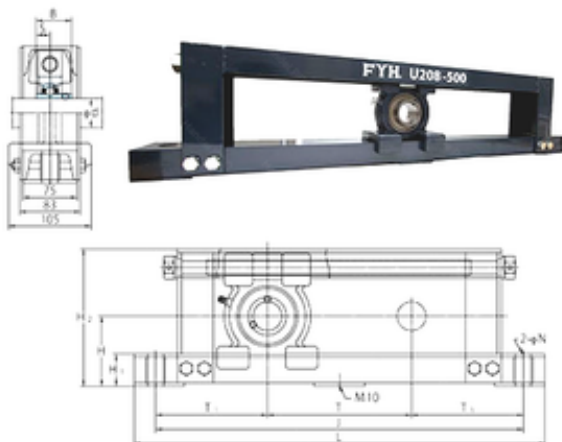




# BEARING DRIVESHAFT ANDERSON, INC.

## FYH UCTU210-700 Bearing units

Bearing No. UCTU210-700



UCTU210-700 Bearing 2D drawings and 3D CAD models

|                               |         |
|-------------------------------|---------|
| Bore Diameter                 | 50 mm   |
| Width                         | 51,6 mm |
| d                             | 50 mm   |
| T1                            | 165 mm  |
| B                             | 51,6 mm |
| H                             | 107 mm  |
| H1                            | 44 mm   |
| H2                            | 210 mm  |
| J                             | 1030 mm |
| L                             | 1090 mm |
| N                             | 22 mm   |
| S                             | 19 mm   |
| T                             | 700 mm  |
| Bolt (G)                      | M18     |
| Weight                        | 27 Kg   |
| Basic dynamic load rating (C) | 35,1 kN |
| Basic static load rating (C0) | 23,3 kN |