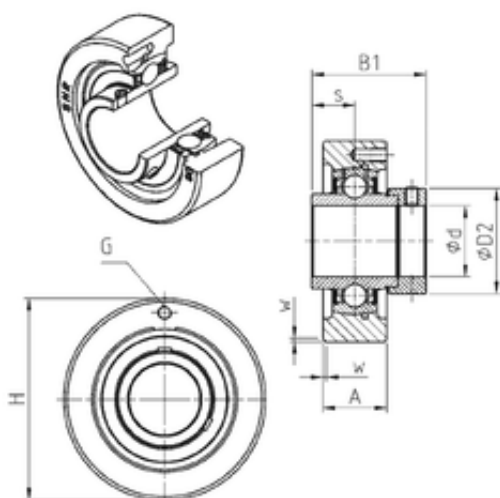




BEARING DRIVESHAFT ANDERSON, INC.



SNR EXC316 Bearing units

Bearing No. EXC316

Bore Diameter	80 mm
d	80 mm
s	40,5 mm
A	60 mm
B1	106,4 mm
D2	119 mm
H	200 mm
W	4 mm
Thread (G)	M10x1
Weight	10,7 Kg
Basic dynamic load rating (C)	122,85 kN
B	81 mm
A3	4 mm
A5	40.5 mm
d1	119 mm
G	M10x1
s1	72.3 mm
S	40.5 mm
SW	8 mm
C	122.85 kN
C0	86.5 kN
T min.	-20 ° C
T max.	100 ° C
Recommended tightening torque for set screw	64 Nm
Designation of housing	C316-

EXC316 Bearing 2D drawings and 3D CAD models



BEARING DRIVESHAFT ANDERSON, INC.

Designation of bearing

EX316G2