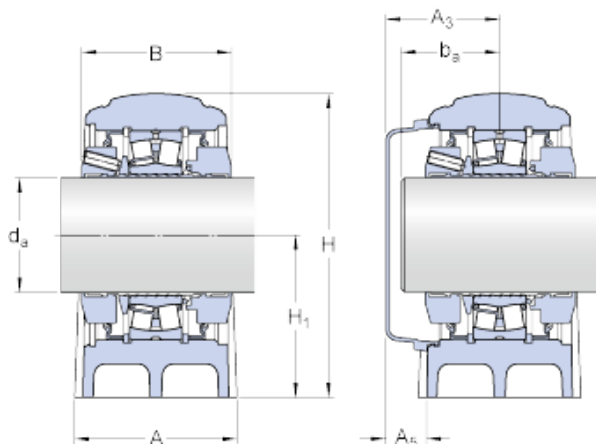




BEARING DRIVESHAFT ANDERSON, INC.



SKF SYNT 65 F Bearing units

Bearing No. SYNT 65 F

Size	65x80x71 mm
Bore Diameter	65 mm
Outer Diameter	80 mm
Width	71 mm
d_a	65 mm
A	80 mm
B	71 mm
H	158 mm
H_1	80 mm
H_2	30 mm
J	230 mm
L	280 mm
H	24 mm
N_1	18 mm
J_6	254 mm
J_7	29 mm
N_4 - max.	8 mm
A_3	73 mm
A_5	35.5 mm
b_a - min.	38 mm
b_a - max.	65 mm
Basic dynamic load rating - C	193 kN
Basic static load rating - C_0	216 kN
Fatigue load limit - P_u	24 kN

SYNT 65 F Bearing 2D drawings and 3D CAD models



BEARING DRIVESHAFT ANDERSON, INC.

Limiting speed	2700 r/min
Calculation factor - e	0.24
Calculation factor - Y_1	2.8
Calculation factor - Y_2	4.2
Diameter - d_m	92.5 mm
Basic Designation bearing	22213 E
P_a	20 kN
P_{0°	290 kN
P_{55°	380 kN
P_{90°	230 kN
P_{120°	155 kN
P_{150°	140 kN
P_{180°	210 kN
Mass bearing unit	8.7 kg
Category	Mounted Units & Inserts
Inventory	0.0
Manufacturer Name	SKF
Minimum Buy Quantity	N/A
Weight / Kilogram	8.157
EAN	7316574443307
Product Group	M06110
bore diameter:	65 mm
base width:	80 mm
overall length:	280 mm
expansion type:	Expansion Bearing (Floating)
overall height:	158 mm
finish/coating:	Uncoated
mounting:	Two-Bolt Base
overall width:	80 mm
bearing type:	Spherical Roller



BEARING DRIVESHAFT ANDERSON, INC.

radial dynamic load capacity:	193 kN
bore type:	Round
radial static load capacity:	216 kN
housing construction:	Solid Pillow Block
maximum rpm:	2700 RPM
base to bore centerline:	80 mm
lubrication type:	Lubrication Fitting
locking device:	Concentric Collar
series:	SYNT
bolt center-to-center length:	230 mm
replacement bearing:	22213 E
d_a	65 mm
H_1	80 mm
H_2	30 mm
N	24 mm
N_1	18 mm
A_3	73 mm
A_5	35.5 mm
b_a min.	38 mm
b_a max.	65 mm
J_6	254 mm
J_7	29 mm
N_4 max.	8 mm
Basic dynamic load rating C	193 kN
Basic static load rating C_0	216 kN
Fatigue load limit P_u	24 kN
Calculation factor e	0.24
Calculation factor Y_1	2.8
Calculation factor Y_2	4.2
Bearing mean diameter d_m	92.5 mm
P_0°	290 kN
P_{55}°	380 kN



BEARING DRIVESHAFT ANDERSON, INC.

P_{90°	230 kN
P_{120°	155 kN
P_{150°	140 kN
P_{180°	210 kN
P_a	20 kN
Attachment bolt diameter G	16 mm
Tightening torque for attachment bolts	200 N · m
Grub screws	4 x M 6
Tightening torque for grub screws	8 N · m
Grease quantity for relubrication	7 g