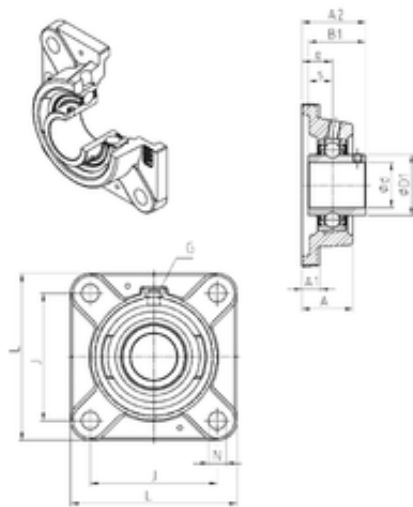




BEARING DRIVESHAFT ANDERSON, INC.



SNR UCFE212 Bearing units

Bearing No. UCFE212

Bore Diameter	60 mm
d	60 mm
e	34 mm
s	25,4 mm
A	53,5 mm
A1	16 mm
B1	65,1 mm
D1	74,9 mm
J	143 mm
L	175 mm
N	18 mm
Thread (G)	R1/8"
A2	73,7 mm
Weight	4,9 Kg
Basic dynamic load rating (C)	52,5 kN

UCFE212 Bearing 2D drawings and 3D CAD models