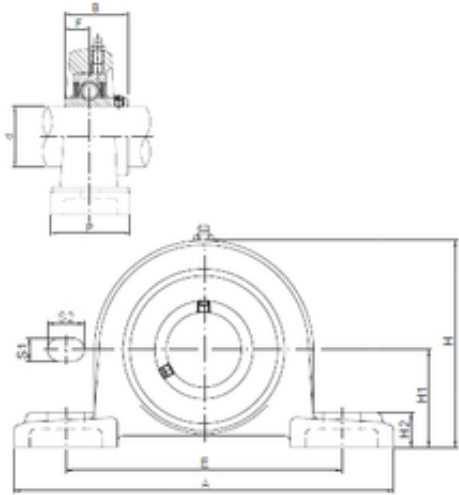




BEARING DRIVESHAFT ANDERSON, INC.



ISO UCP306 Bearing units

Bearing No. UCP306

Bore Diameter	30 mm
d	30 mm
S1	17 mm
P	50 mm
A	180 mm
B	43 mm
E	140 mm
F	17 mm
H	95 mm
H1	50 mm
H2	18 mm
S2	20 mm
Bolt (G)	M14

UCP306 Bearing 2D drawings and 3D CAD models