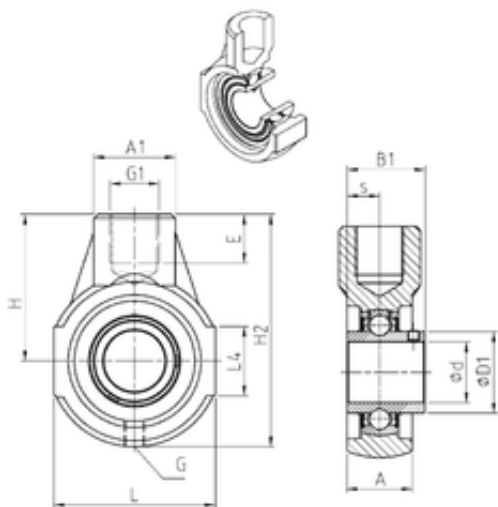




BEARING DRIVESHAFT ANDERSON, INC.

SNR UCEHE209 Bearing units

Bearing No. UCEHE209



UCEHE209 Bearing 2D drawings and 3D CAD models

Bore Diameter	45 mm
d	45 mm
L4	45 mm
s	19 mm
A	40 mm
A1	40 mm
B1	49,2 mm
D1	57,2 mm
E	24 mm
G1	M24 mm
H	90 mm
H2	145 mm
L	110 mm
Thread (G)	R1/8"
Weight	1,9 Kg
Basic dynamic load rating (C)	31,85 kN
A2	40 mm
B	49.2 mm
A5	30.2 mm
G	R1/8"
L1	90 mm
L3	45 mm
s1	24.6 mm
S	19 mm
SW	4 mm
C	31.85 kN



BEARING DRIVESHAFT ANDERSON, INC.

C0	20.8 kN
T min.	-20 ° C
T max.	100 ° C
Recommended tightening torque for set screw	11.5 Nm
Designation of housing	EHE209-
Designation of bearing	UC209G2