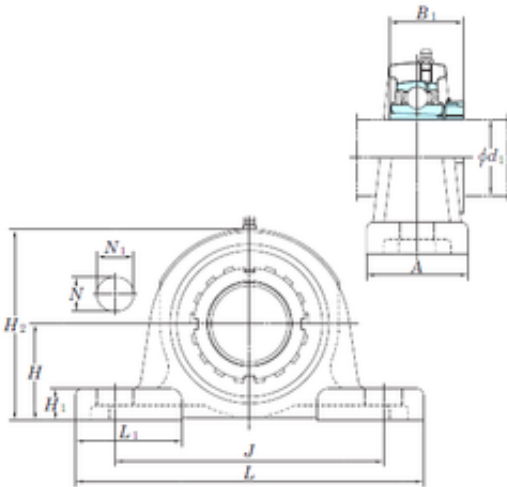




# BEARING DRIVESHAFT ANDERSON, INC.



UKPX16 Bearing 2D drawings and 3D CAD models

## KOYO UKPX16 Bearing units

Bearing No. UKPX16

Bore Diameter	70 mm
Width	101,6 mm
d	70 mm
A	102 mm
B1	78 mm
H	101,6 mm
H1	34 mm
H2	195 mm
J	283 mm
L	381 mm
L1	116 mm
N	27 mm
N1	58 mm
Bolt (G)	M22
Weight	15,4 Kg
Basic dynamic load rating (C)	84 kN
Basic static load rating (C0)	61,9 kN