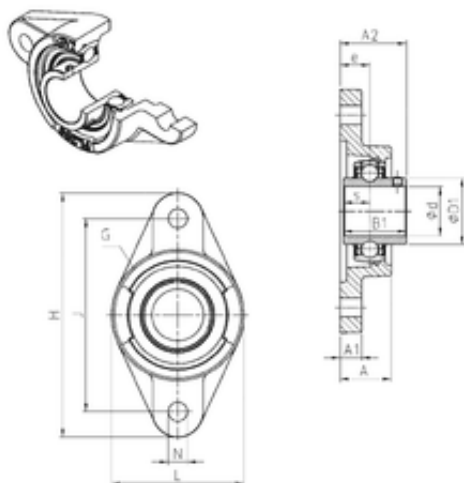




BEARING DRIVESHAFT ANDERSON, INC.



SNR UCFL311 Bearing units

Bearing No. UCFL311

Bore Diameter	55 mm
d	55 mm
e	30 mm
s	25 mm
A	52 mm
A1	20 mm
B1	66 mm
D1	74,9 mm
H	250 mm
J	198 mm
L	150 mm
N	25 mm
Thread (G)	M6x1
A2	71 mm
Weight	4,6 Kg
Basic dynamic load rating (C)	71,5 kN
B	66 mm
G	M6x1
s1	33 mm
S	25 mm
C	71.5 kN
C0	44.8 kN
T min.	-20 ° C
T max.	100 ° C
Recommended tightening torque for set screw	33 Nm

UCFL311 Bearing 2D drawings and 3D CAD models



BEARING DRIVESHAFT ANDERSON, INC.

Designation of housing	FL311-
Designation of bearing	UC311G2