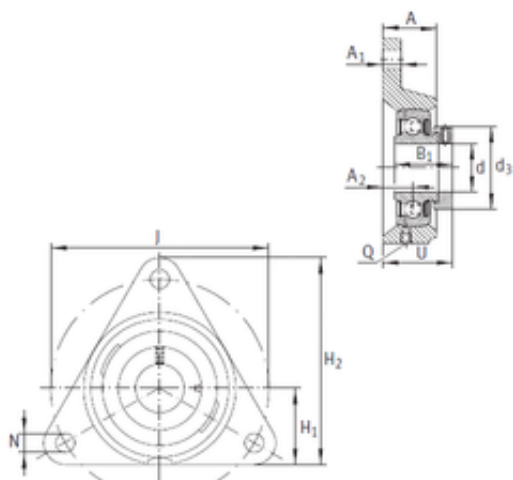




BEARING DRIVESHAFT ANDERSON, INC.

INA PCFTR17 Bearing units

Bearing No. PCFTR17



PCFTR17 Bearing 2D drawings and 3D CAD models

Bore Diameter	17 mm
d	17 mm
U	32,1 mm
Thread (Q)	M6
d3	28 mm
A	20 mm
A1	11 mm
B1	28,6 mm
H1	31 mm
H2	81 mm
J	76,1 mm
N	11,5 mm
A2	10 mm
Weight	0,4 Kg
Basic dynamic load rating (C)	9,8 kN
Category	Bearings
Inventory	0.0
Manufacturer Name	SCHAEFFLER GROUP
Minimum Buy Quantity	N/A
Weight / Kilogram	0.4
Product Group	M06110