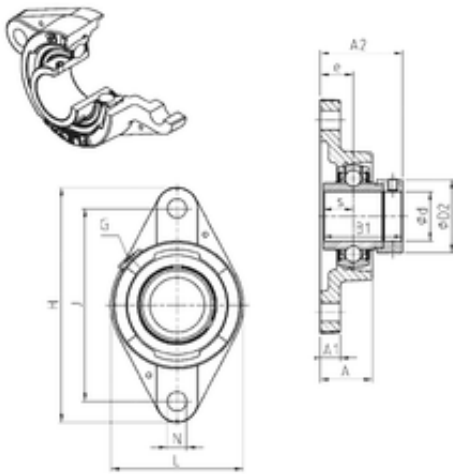




BEARING DRIVESHAFT ANDERSON, INC.



SNR EXFLE202 Bearing units

Bearing No. EXFLE202

Bore Diameter	15 mm
d	15 mm
e	19 mm
s	17 mm
A	30,3 mm
A1	10 mm
B1	43,5 mm
D2	33,3 mm
H	112 mm
J	90 mm
L	61 mm
N	11,5 mm
Thread (G)	R1/8"
A2	37,3 mm
Weight	0,6 Kg
Basic dynamic load rating (C)	12,8 kN

EXFLE202 Bearing 2D drawings and 3D CAD models