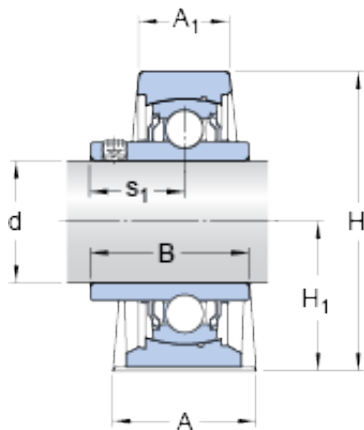




# BEARING DRIVESHAFT ANDERSON, INC.



## SKF SY 20 TF/VA228 Bearing units

Bearing No. SY 20 TF/VA228

Size	32x20x22 mm
Bore Diameter	32 mm
Outer Diameter	20 mm
Width	22 mm
d	20 mm
A	32 mm
A <sub>1</sub>	22 mm
H	64 mm
H <sub>1</sub>	33.3 mm
H <sub>2</sub>	14 mm
L	127 mm
J	97 mm
H	20.5 mm
N <sub>1</sub>	11.5 mm
B	31 mm
s <sub>1</sub>	18.3 mm
Basic dynamic load rating - C	12.7 kN
Basic static load rating - C <sub>0</sub>	6.6 kN
Limiting speed	260 r/min
Limiting temperature - T	350 ° C
Mass bearing unit	0.57 kg
Grub (set) screw - G <sub>2</sub>	M6x0.75
Hexagonal key size for grub screw - H	3 mm
Recommended tightening	4 N · m

SY 20 TF/VA228 Bearing 2D drawings and 3D CAD models



## BEARING DRIVESHAFT ANDERSON, INC.

torque for grub screw	
Category	Bearings
Inventory	0.0
Manufacturer Name	SKF
Minimum Buy Quantity	N/A
UNSPSC	31171511
Weight / Kilogram	0
EAN	7316571381534
Product Group	M06110
A <sub>1</sub>	22 mm
H <sub>1</sub>	33.3 mm
H <sub>2</sub>	14 mm
N	20.5 mm
N <sub>1</sub>	11.5 mm
s <sub>1</sub>	18.3 mm
Basic dynamic load rating C	12.7 kN
Basic static load rating C <sub>0</sub>	6.55 kN
Limiting temperature T max.	350 ° C
Grub (set) screw G <sub>2</sub>	M6x0.75
Hexagonal key size for grub screw N	3 mm
Attachment bolts, recommended metric size G	10 mm