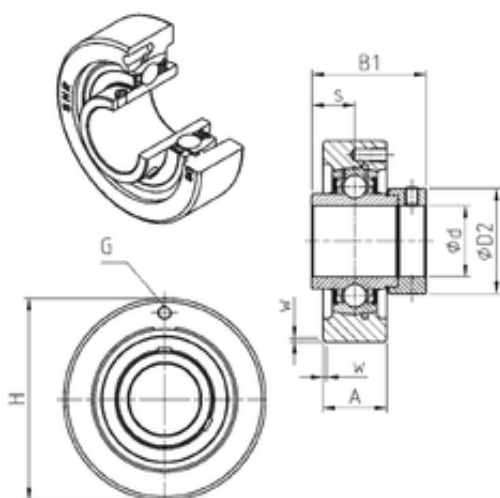




BEARING DRIVESHAFT ANDERSON, INC.

SNR EXC208 Bearing units

Bearing No. EXC208



Bore Diameter	40 mm
d	40 mm
s	21,4 mm
A	30 mm
B1	56,3 mm
D2	60,3 mm
H	100 mm
W	2 mm
Thread (G)	M6x1
Weight	1,5 Kg
Basic dynamic load rating (C)	29,6 kN

EXC208 Bearing 2D drawings and 3D CAD models