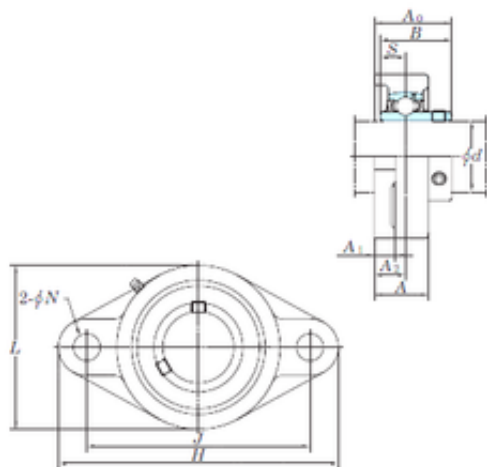




BEARING DRIVESHAFT ANDERSON, INC.



KOYO UCFL313 Bearing units

Bearing No. UCFL313

Bore Diameter	65 mm
d	65 mm
A0	78 mm
A	58 mm
A1	25 mm
B	75 mm
H	295 mm
J	240 mm
L	175 mm
N	31 mm
S	30 mm
A2	33 mm
Weight	8,5 Kg
Basic static load rating (C0)	92,7 kN
Bearing No.	UCFL313
Bolt size	M27
Cr	92.7
C0r	59.9
f0	13.2
(Refer.)Unit mass(kg)	8.5
Nipple size	R1/8

UCFL313 Bearing 2D drawings and 3D CAD models