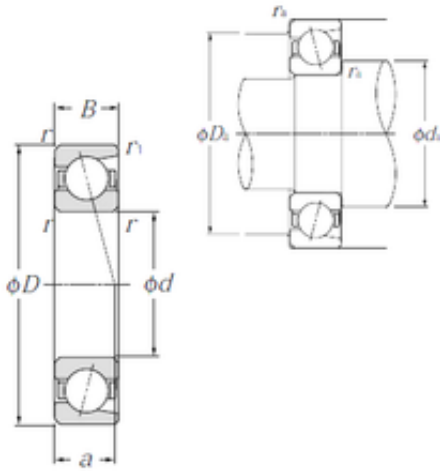




BEARING DRIVESHAFT ANDERSON, INC.

140 mm x 175 mm x 18 mm NTN 7828C
Angular contact ball bearings



Bearing No. 7828C

Size	140x175x18 mm
Bore Diameter	140 mm
Outer Diameter	175 mm
Width	18 mm
d	140 mm
D	175 mm
B	18 mm
C	18 mm
Angle (°)	15 °
a	30 mm
r min.	1,1 mm
r1 min.	0,6 mm
Weight	0,973 Kg
Basic dynamic load rating (C)	47,5 kN
Basic static load rating (C0)	62,5 kN
(Grease) Lubrication Speed	5 100 r/min
(Oil) Lubrication Speed	6 800 r/min

7828C Bearing 2D drawings and 3D CAD models