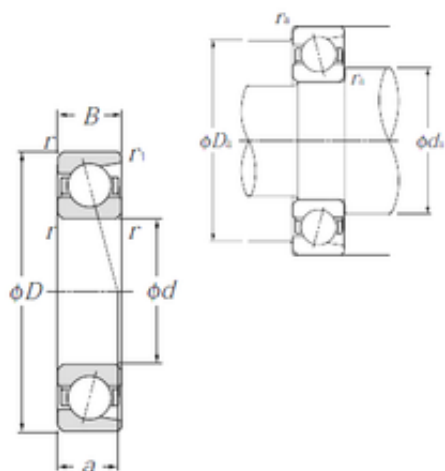




BEARING DRIVESHAFT ANDERSON, INC.

70 mm x 125 mm x 24 mm NTN 7214 Angular contact ball bearings



Bearing No. 7214

Size	70x125x24 mm
Bore Diameter	70 mm
Outer Diameter	125 mm
Width	24 mm
d	70 mm
D	125 mm
B	24 mm
C	24 mm
Angle (°)	25 °
a	40 mm
r min.	1,5 mm
r1 min.	1 mm
da min.	78,5 mm
db min	75,5 mm
ra max.	1,5 mm
Weight	1,09 Kg
Basic dynamic load rating (C)	76,5 kN
Basic static load rating (C0)	63,5 kN
(Grease) Lubrication Speed	5 700 r/min
Contact angle	30 °
rs min	1.5 mm
r1s min	1 mm
Mass	1.09 kg
Dynamic load, C	76.5 kN
Static load, C0	63.5 kN

7214 Bearing 2D drawings and 3D CAD models



BEARING DRIVESHAFT ANDERSON, INC.

Fatigue limit load, Cu	2.9 kN
Nlim (oil)	7,600 rpm
Nlim (grease)	5,700 rpm
Min operating temperature, Tmin	-40 ° C
Max operating temperature, Tmax	120 ° C
da min	78.5 mm
Da max	116.5 mm
Db max	119.5 mm
r1a max	1 mm
ra max	1 mm
Category	Angular Contact Ball Bearings
Inventory	0.0
Manufacturer Name	NTN
Minimum Buy Quantity	N/A
Weight / Kilogram	1.1
Product Group	B00308
Enclosure	Open
Flush Ground	No
Rolling Element	Ball Bearing
Number of Rows of Balls	Single Row
Precision Class	ABEC 1 ISO P0
Maximum Capacity / Filling Slot	No
Snap Ring	No
Cage Material	Steel
Contact Angle	30 Degree
Internal Clearance	C0-Medium
Number of Bearings	1 (Single)
Inch - Metric	Metric
Long Description	70MM Bore; 125MM Outside Diameter; 24MM



BEARING DRIVESHAFT ANDERSON, INC.

	Width; Open; No Flush Ground; Ball Bearing; Single Row of Balls; ABEC 1 ISO P0; No Filling Slot; No Snap Ring; C0-Medium; Steel Cage; 30 Degree; 1 (Single)
Category	Angular Contact Ball Bearing
UNSPSC	31171531
Harmonized Tariff Code	8482.10.50.28
Noun	Bearing
Keyword String	Angular Contact
Manufacturer URL	http://www.ntnamerica.com
Width	0.945 Inch 24 Millimeter
Bore	2.756 Inch 70 Millimeter
Outside Diameter	4.921 Inch 125 Millimeter