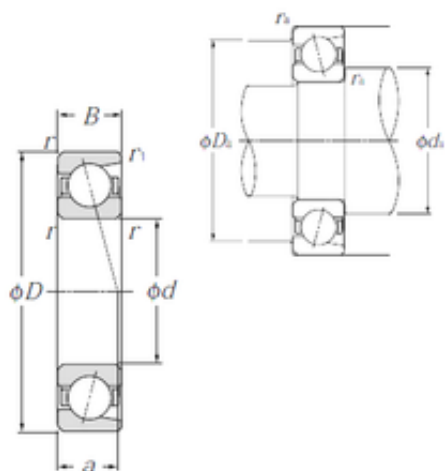




BEARING DRIVESHAFT ANDERSON, INC.

170 mm x 260 mm x 42 mm NTN 7034C
Angular contact ball bearings



Bearing No. 7034C

Size	170x260x42 mm
Bore Diameter	170 mm
Outer Diameter	260 mm
Width	42 mm
d	170 mm
D	260 mm
B	42 mm
C	42 mm
Angle (°)	15 °
a	50 mm
r min.	2,1 mm
r1 min.	1,1 mm
Weight	7,96 Kg
Basic dynamic load rating (C)	205 kN
Basic static load rating (C0)	234 kN
(Grease) Lubrication Speed	3 700 r/min
(Oil) Lubrication Speed	4 900 r/min

7034C Bearing 2D drawings and 3D CAD models