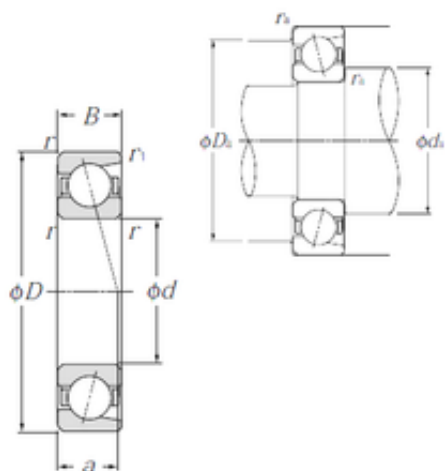




BEARING DRIVESHAFT ANDERSON, INC.

35 mm x 80 mm x 21 mm NTN 7307 Angular contact ball bearings



7307 Bearing 2D drawings and 3D CAD models

Bearing No. 7307

Size	35x80x21 mm
Bore Diameter	35 mm
Outer Diameter	80 mm
Width	21 mm
d	35 mm
D	80 mm
B	21 mm
C	21 mm
Angle (°)	25 °
a	27 mm
r min.	1,5 mm
r1 min.	1 mm
da min.	43,5 mm
db min	40,5 mm
ra max.	1,5 mm
Weight	0,462 Kg
Basic dynamic load rating (C)	40 kN
Basic static load rating (C0)	26,3 kN
(Grease) Lubrication Speed	9 800 r/min
Contact angle	30 °
rs min	1.5 mm
r1s min	1 mm
Mass	0.46 kg
Dynamic load, C	40 kN
Static load, C0	26.3 kN



BEARING DRIVESHAFT ANDERSON, INC.

Fatigue limit load, Cu	1.2 kN
Nlim (oil)	13,000 rpm
Nlim (grease)	9,800 rpm
Min operating temperature, Tmin	-40 ° C
Max operating temperature, Tmax	120 ° C
Characteristic cage frequency, FTF	0.4 Hz
Characteristic rolling element frequency, BSF	4.09 Hz
Characteristic outer ring frequency, BPF0	4.78 Hz
Characteristic inner ring frequency, BRFI	7.22 Hz
da min	43.5 mm
Da max	71.5 mm
Db max	74.5 mm
r1a max	1 mm
ra max	1.5 mm
Category	Angular Contact Ball Bearings
Inventory	0.0
Manufacturer Name	NTN
Minimum Buy Quantity	N/A
Weight / Kilogram	0.464
EAN	4547359449464
Product Group	B00308
Enclosure	Open
Flush Ground	No
Rolling Element	Ball Bearing
Number of Rows of Balls	Single Row
Precision Class	ABEC 1 ISO P0
Maximum Capacity / Filling Slot	No



BEARING DRIVESHAFT ANDERSON, INC.

Snap Ring	No
Cage Material	Steel
Contact Angle	30 Degree
Internal Clearance	C0-Medium
Number of Bearings	1 (Single)
Inch - Metric	Metric
Long Description	35MM Bore; 80MM Outside Diameter; 21MM Width; Open; No Flush Ground; Ball Bearing; Single Row of Balls; ABEC 1 ISO P0; No Filling Slot; No Snap Ring; C0-Medium; Steel Cage; 30 Degree; 1 (Single)
Category	Angular Contact Ball Bearing
UNSPSC	31171531
Harmonized Tariff Code	8482.10.50.28
Noun	Bearing
Keyword String	Angular Contact
Manufacturer URL	http://www.ntnamerica.com
Outside Diameter	3.15 Inch 80 Millimeter
Bore	1.378 Inch 35 Millimeter
Width	0.827 Inch 21 Millimeter