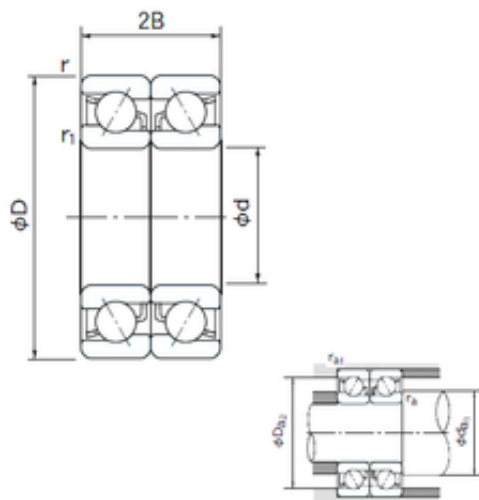




BEARING DRIVESHAFT ANDERSON, INC.



105 mm x 225 mm x 49 mm NACHI 7321DB
Angular contact ball bearings

Bearing No. 7321DB

7321DB Bearing 2D drawings and 3D CAD models

Size	105x225x49 mm
Bore Diameter	105 mm
Outer Diameter	225 mm
Width	49 mm
d	105 mm
D	225 mm
B	49 mm
C	49 mm
Angle (°)	30 °
a	23.1 mm
r min.	3 mm
r1 min.	1.1 mm
2B	98 mm
da min.	112 mm
Da max.	218 mm
ra max.	1 mm
Weight	9.34 Kg
Basic dynamic load rating (C)	355 kN
Basic static load rating (C0)	410 kN
(Grease) Lubrication Speed	2100 r/min
Bore Type	Cylindrical Bore
Enclosure	Open
Configuration	Duplex
Bore Size	105 mm
Outside Diameter	225 mm



BEARING DRIVESHAFT ANDERSON, INC.

Width	49 mm
Fillet Radius/Chamfer	3 mm
r1	1.1 mm
Dynamic Load Rating	355,000 N
Static Load Rating	410,000 N
Limiting Speed - Grease	2,100 rpm
Limiting Speed - Oil	2,800 rpm
da1 (min)	119 mm
da2 (min)	112 mm
Da1 (max)	211 mm
Da2 (max)	218 mm
ra (max)	2.5 mm
ra1 (max)	1 mm