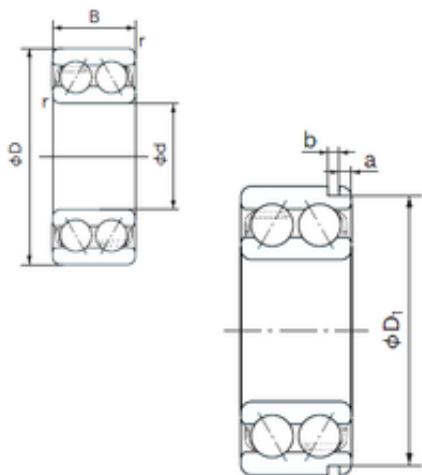




BEARING DRIVESHAFT ANDERSON, INC.



17 mm x 40 mm x 17.5 mm NACHI 5203N
Angular contact ball bearings

Bearing No. 5203N

Size	17x40x17.5 mm
Bore Diameter	17 mm
Outer Diameter	40 mm
Width	17.5 mm
d	17 mm
D	40 mm
B	17.5 mm
C	17.5 mm
a	2.06 mm
b	1.35 mm
r min.	0.6 mm
D1	38.1 mm
Weight	0.090 Kg
Basic dynamic load rating (C)	15 kN
Basic static load rating (C0)	9,25 kN
(Grease) Lubrication Speed	12000 r/min
Bore Type	Cylindrical Bore
Enclosure	Open
Configuration	Double Row
Bore Size	17 mm
Outside Diameter	40 mm
Width	17.5 mm
Fillet Radius/Chamfer	0.6 mm
Groove Width	1.4 mm
Groove Diameter	38.1 mm

5203N Bearing 2D drawings and 3D CAD models



BEARING DRIVESHAFT ANDERSON, INC.

a (max)	2.1 mm
Dynamic Load Rating	15,000 N
Static Load Rating	9,250 N
Limiting Speed - Grease	12,000 rpm
Limiting Speed - Oil	17,000 rpm
Radial Clearance	0.003 to 0.018 mm
da	22 mm
Da	35 mm
Dx	45.5 mm
ra	0.6 mm
Cy	2.9 mm