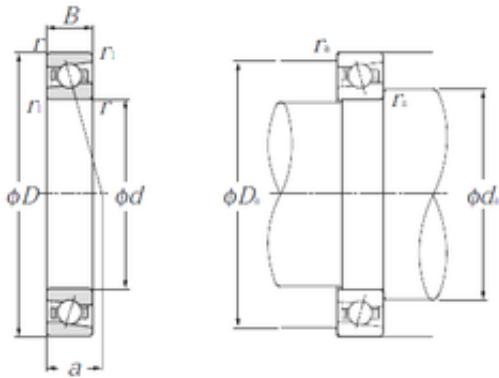




BEARING DRIVESHAFT ANDERSON, INC.

55 mm x 80 mm x 13 mm NTN 5S-HSB911C Angular contact ball bearings



Bearing No. 5S-HSB911C

Size	55x80x13 mm
Bore Diameter	55 mm
Outer Diameter	80 mm
Width	13 mm
d	55 mm
D	80 mm
B	13 mm
C	13 mm
a	15,5 mm
r min.	1 mm
r1 min.	0,6 mm
da min.	60,5 mm
Da max.	74,5 mm
ra max.	1 mm
Weight	0,18 Kg

5S-HSB911C Bearing 2D drawings and 3D CAD models