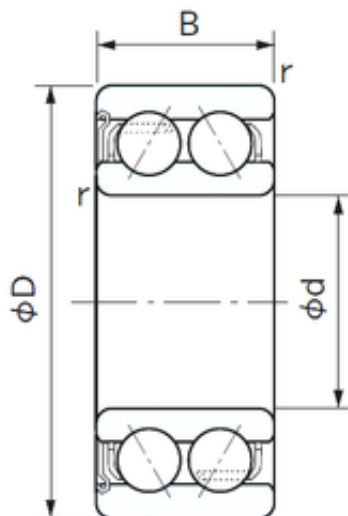




## BEARING DRIVESHAFT ANDERSON, INC.



17 mm x 40 mm x 17.5 mm NACHI 5203AZ  
Angular contact ball bearings

Bearing No. 5203AZ

|                               |               |
|-------------------------------|---------------|
| Size                          | 17x40x17.5 mm |
| Bore Diameter                 | 17 mm         |
| Outer Diameter                | 40 mm         |
| Width                         | 17.5 mm       |
| d                             | 17 mm         |
| D                             | 40 mm         |
| B                             | 17.5 mm       |
| C                             | 17.5 mm       |
| Angle ( ° )                   | 20 °          |
| r min.                        | 0.6 mm        |
| Weight                        | 0.090 Kg      |
| Basic dynamic load rating (C) | 14,2 kN       |
| Basic static load rating (C0) | 8,8 kN        |
| (Grease) Lubrication Speed    | 11000 r/min   |

5203AZ Bearing 2D drawings and 3D CAD models